

# BABY LOCK SEWING ACCESSORIES

## Invisible Zipper Foot

(BLQP-IZF)

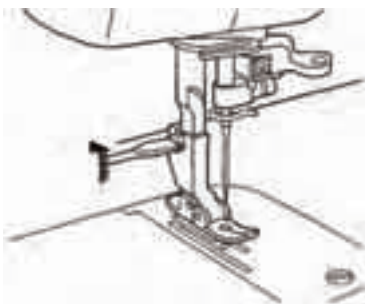
### Instructions

For truly invisible zippers with a professional appearance, this is the right foot to use. The zipper coils actually act as the guide for this foot, allowing for perfectly positioned stitches that won't show on the front of your garment.

#### INSTRUCTIONS:

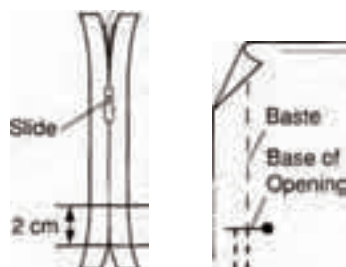
1. Raise the presser foot and raise the needle to the highest position.

2. Loosen and remove screw using the screwdriver included with your machine.



3. Attach the invisible zipper foot and tighten the screw.

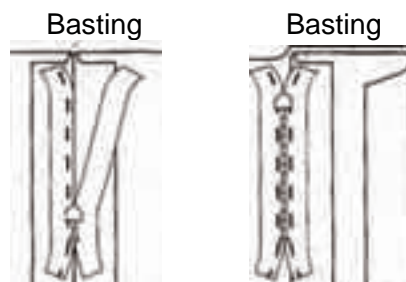
4. Align zipper with fabric. Mark the base of the opening approximately 2cm above the end of the zipper.



5. Baste the zipper position.

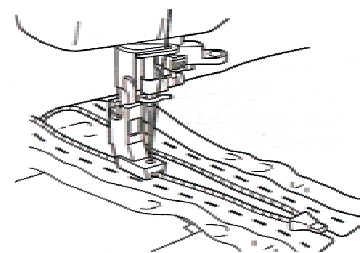


6. Separate the seam allowance.



7. With the zipper mounted, baste just the seam margin on one side of the zipper.

8. Close the zipper and baste the other side of the zipper.



9. Remove the basting at the zipper position.

10. Fit the zipper teeth into the presser foot groove, guide them to prevent them from falling over, and sew to the base of the opening.

**NOTE:** When sewing with the teeth to the right, the left side of the foot should line up with the left teeth of the zipper.



**FOR THE LOVE OF SEWING**