

BABY LOCK SEWING ACCESSORIES

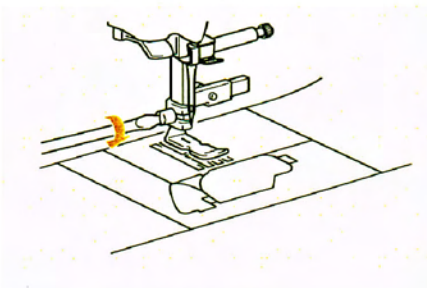
Zipper/Piping Adjustable Foot

(BLG-AZF)

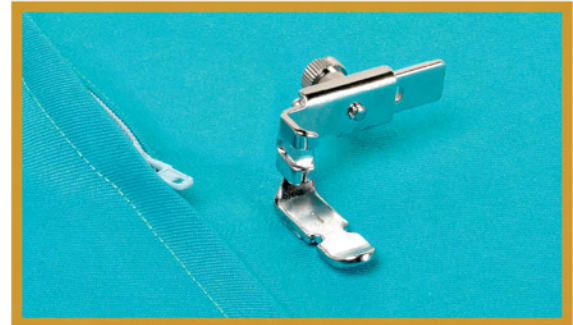
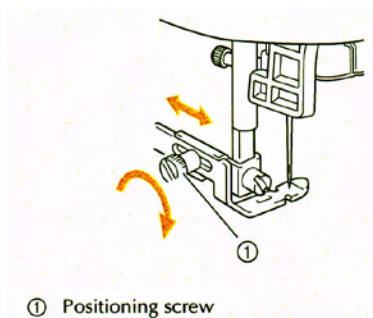
Instructions

For truly invisible zippers with a professional appearance, this is the right foot to use. The zipper coils actually act as the guide for this foot, allowing for perfectly positioned stitches that won't show on the front of your garment.

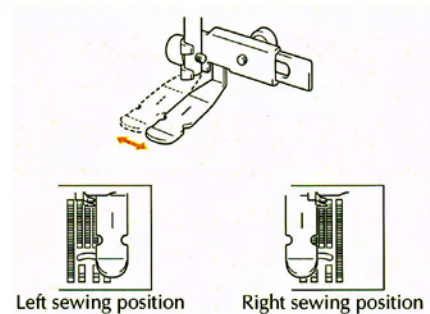
1. Remove the presser foot and the presser foot holder to attach the screw-on adjustable zipper/piping foot.



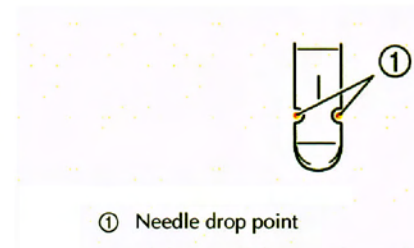
2. Select the left position straight stitch.
3. Loosen the positioning screw on the back of the presser foot.



4. Slide the presser foot over either the left or the right feed dog.

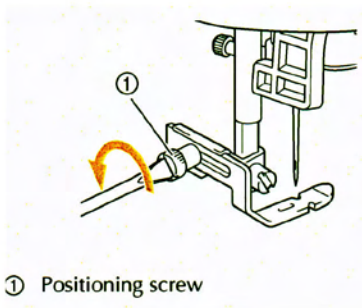


5. Change the needle position so that the needle does not touch the presser foot by adjusting the stitch width.

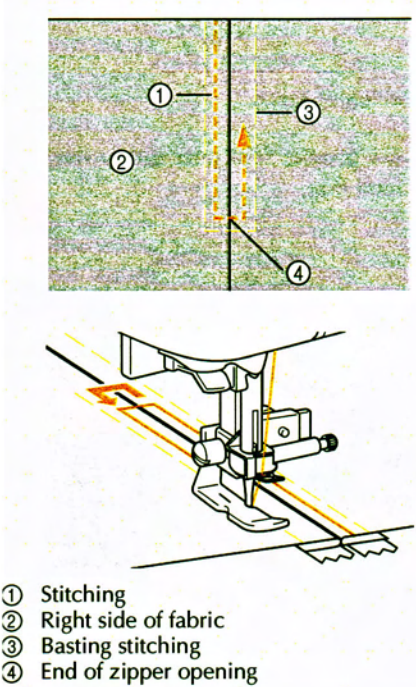


FOR THE LOVE OF SEWING

6. Securely tighten the positioning screw with a screwdriver.



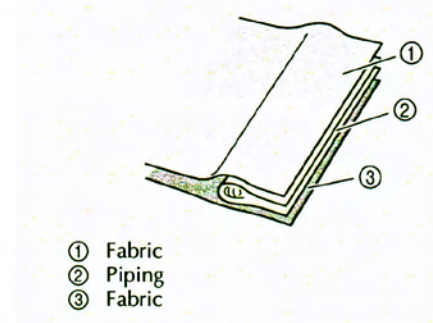
7. Topstitch around the zipper.



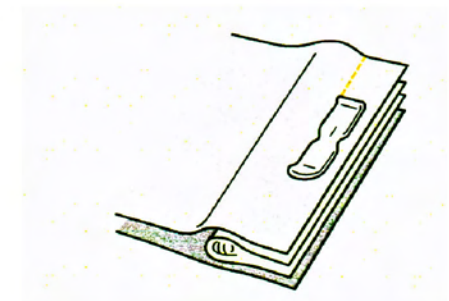
8. Remove the basting stitching.

Inserting Piping

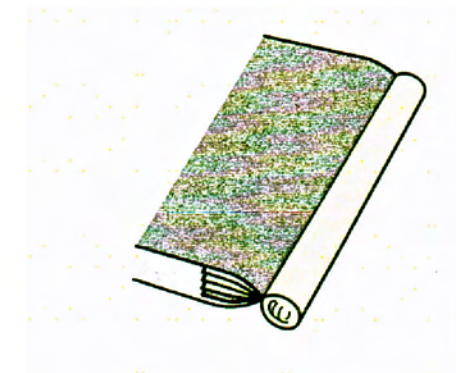
9. Place the piping between two fabric pieces turned inside out, as shown below.



10. Sew along the piping.



11. After sewing, turn the fabric pieces right side out.



FOR THE LOVE OF SEWING

800-422-2952

www.babylock.com