

# BABY LOCK SEWING ACCESSORIES

## Vertical Stitch Alignment Foot

(BLSO-VF)

### Instructions

Using the built-in camera on the Ellisimo (BLSO), the width of the area from the edge of the fabric to the stitching line can be measured and set for edge sewing. This function can be used when the edge of the fabric is straight or a gentle curve.

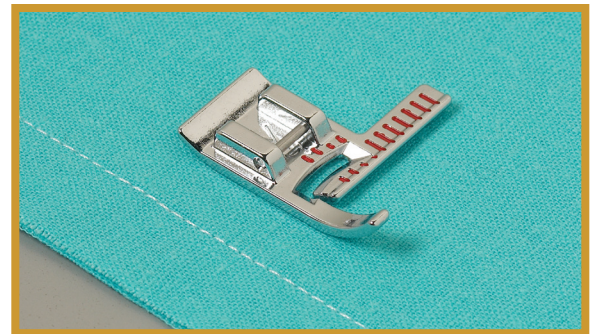
#### INSTRUCTIONS:



1. Attach the vertical stitch alignment foot "V".



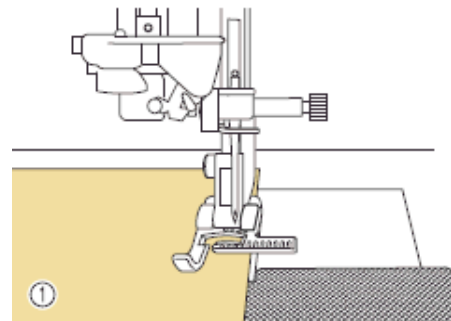
**Note:** When edge sewing with the built-in camera on the Ellisimo (BLSO), be sure to use the vertical stitch alignment foot "V". In order to maintain a fixed distance from the edge of the fabric, the needle will move slightly to the right or left, even when sewing with a straight stitch. If a different presser foot is used, it may be hit by the needle, causing the needle to break or resulting in injuries.

2. Peel off the transparent film from the back of the edge sewing sheet and save, because the sheet is reusable.
3. Place the edge sewing sheet on top of the needle plate cover.
4. Align the guides on the edge sewing sheet with the sides of the needle plate cover, and then adjust the position of the edge sewing sheet so that its cutout aligns with the edges of the opening for the feed dogs. Position the edge sewing sheet so that there is no gap between it and the edges of the opening for the feed dogs.

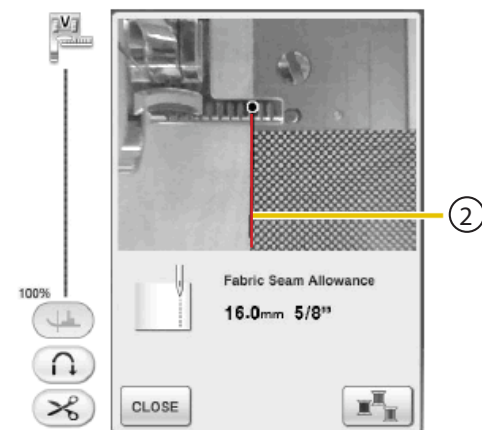


5. Select a straight stitch. Adjust the stitch length to the desired settings. Press the edge sewing key . After  is pressed, the stitch width and stitch length cannot be changed.

6. Place the fabric (1) under the presser foot. Move the fabric to the desired position for edge sewing. Position the fabric so that its edge is as straight as possible.

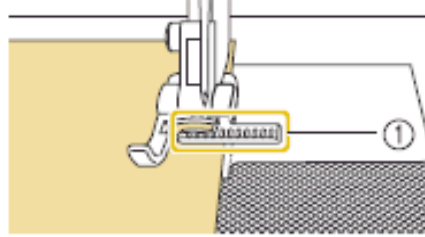


7. When the Built-In Camera detects the edge of the fabric, the fabric edge indicator line (2) appears correctly following the edge of the fabric.



**FOR THE LOVE OF SEWING**

8. While checking the LCD screen for the distance from the fabric edge to the edge sewing position, move the fabric to the desired position. Lower the presser foot.
9. Press the "Start/Stop" button to start edge sewing. Sewing starts with the set distance to the edge of the fabric maintained.
10. While sewing, use the red scale marks (1) on the vertical stitch alignment foot "V" as a guide to keep a fixed distance from the edge of the fabric.



**FOR THE LOVE OF SEWING**

800-422-2952

[www.babylock.com](http://www.babylock.com)