

BABY LOCK SERGER ACCESSORIES

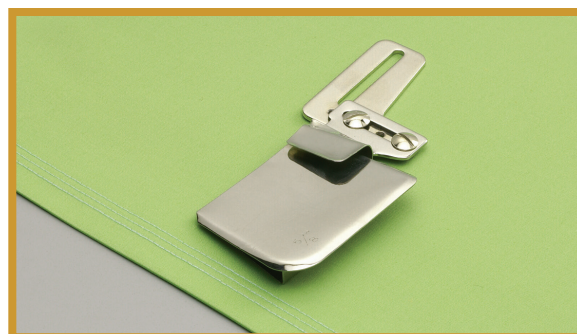
Single Downturn Feller

1/4 inch (6.5mm) (BLE8-S10)

5/8 inch (16mm) (BLE8-S8)

1 inch (25mm) (BLE8-S9)

Instructions



This single downturn feller turns the fabric downward into a perfectly straight single turn hem. You won't have to press your hems before using this feller, making downturn hems easy.

MACHINE SETTINGS

Stitch type: 1/4"	Narrow Left Cover Stitch-ONLY C1-C2
Stitch type: 5/8"	Narrow Left Cover Stitch-C1-C2 Wide Cover Stitch-C1-C3
Stitch type: 1"	Wide Cover Stitch-C1-C3 Triple Cover Stitch C1-C2-C3 Narrow Left Cover Stitch C1-C2
Sewing speed:	Moderate to slow
Stitch length:	3-4
Upper looper:	Down
Cutting blade:	Disengaged "LOCKED"
Sewing table:	On

Application: Hem straight edges of projects.

Fabrics: 1/4 inch Feller - lightweight denim, chambray, cotton broadcloth, calico, polyester, and rayon.

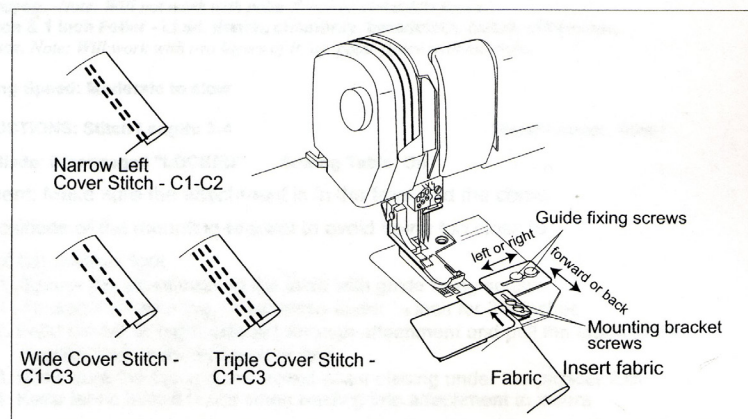
Note: Will not work with polar fleece or sweatshirt fleece.
5/8 inch & 1 inch Feller - lightweight denim, chambray, broadcloth, calico, ultrasuede, leather.

Note: Will work with two layers of lightweight polar fleece with no seams.

Note: When using BLCS the accessory adaptor BLCS-AA is needed.

Attachment Instructions: Make sure the attachment is in the front and the center screw positions of the mounting bracket to avoid being too close to the toe of the presser foot.

1. Secure the attachment to the table with guide fixing screws.
2. To start the hemming, finger press under 1/4 inch for 3-4 inches.
3. Feed the fabric (right side up) through attachment and pull the fabric to the needles and under the presser foot.
4. Make sure the fabric is still folded when placing under the presser foot.
5. Keep fabric turned under when feeding into the attachment to insure the fabric will roll under when sewing.



FOR THE LOVE OF SEWING