

BABY LOCK SERGER ACCESSORIES

Lace Applicator Foot

(BLE-LF)

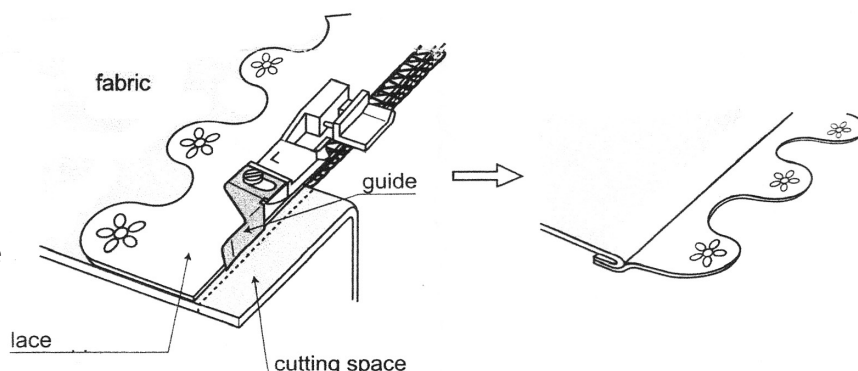
Instructions

Attach lace to fabric edges perfectly using the special guide on this foot. Set up the machine for 3-thread, overlock, rolled hem, or 2-thread serging. Adjust the guide and attach the lace.



MACHINE SETTINGS

Needle:	Right, Left, or Both
Upper knife:	Engaged "UNLOCKED"
Differential feed:	Normal
Stitch length:	3-4
Stitch width:	3.5



ATTACHING LACE:

1. Attach lace applicator foot to machine and set up the machine for your desired stitch selection. See manual for detailed instructions.
2. Loosen adjustable screw on the top of the lace foot.
3. Raise the presser foot.
4. Place the fabric right side up under the foot to the cutting blade.
5. Insert the lace right side down into the guide and under the foot against the inside edge of the guide.
6. Align the guide with the placement of the right edge of the lace.
7. Move the guide right or left to align with the needles being used.
8. Lower the presser foot.
9. Check the guide position and tighten the screw.
10. Test sew for desired effect.



FOR THE LOVE OF SEWING