

BABY LOCK SEWING ACCESSORIES

Satin Stitch Foot

(BLQ2-SSF)

Instructions

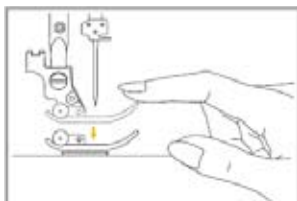


Use the satin stitch foot for satin stitching and sewing decorative stitches. This foot has a full indentation on the underside to allow for sewing over the thickness of the stitches formed closely spaced zigzag stitches, and even feeding of the fabric.

INSTRUCTIONS:

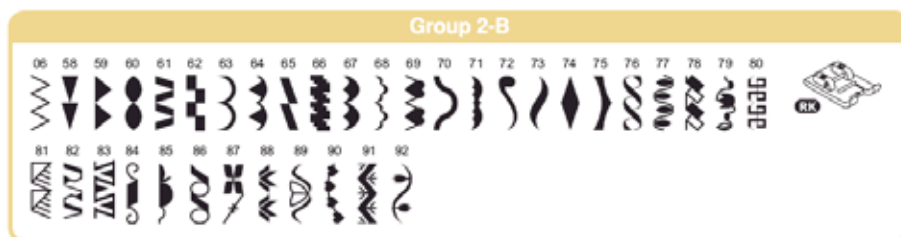
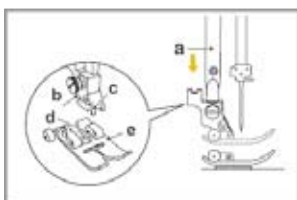
Removing the presser foot

Raise the presser foot (a).



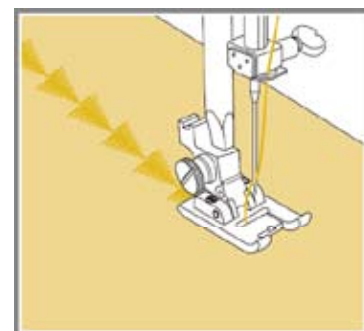
Attaching the presser foot

Lower the presser foot holder (b) until the notch (c) is directly above the pin (d). Lower the presser foot holder (b) and the presser foot (e) will engage automatically.



1. Remove the presser foot.
2. Attach the Satin Stitch Foot.
3. Select desired decorative or satin stitch pattern.
4. To tailor the satin or decorative stitch pattern, you may adjust the length and width of the pattern by pressing the stitch length and width adjustment buttons.
5. Place the fabric under the foot.
6. Experiment with fabric scraps until you get the desired length and width.

NOTE: When sewing very thin fabrics, it is suggested that you use an interfacing or stabilizer on back of the fabric.



FOR THE LOVE OF SEWING