

BABY LOCK SEWING ACCESSORIES

Overcasting Foot

(BLG-OF)

Instructions

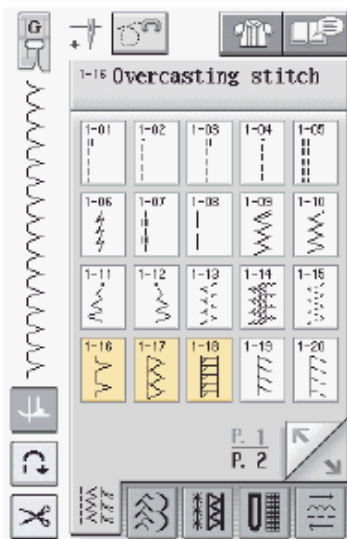
This foot delivers a consistent and accurate overcasting stitch for serged effect using your machine. Thread is locked around the edge of fabric, aligned with the edge, to prevent fabric from raveling. Use for the beginning and end of seams in skirts or trousers, and the beginning and end of all cuttings.



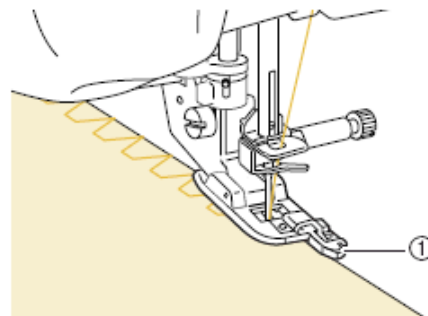
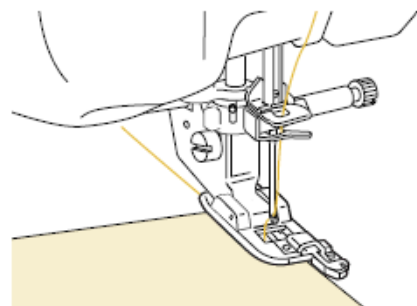
3. Sew along the presser foot guide.

INSTRUCTIONS:

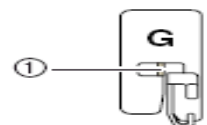
1. Select a stitch and attach the overcasting foot.



2. Lower the presser foot so the presser foot guide is set flush against the edge of the fabric.



Note: After the stitch width is adjusted, turn the handwheel toward you by hand and check that the needle does not touch the presser foot. If the needle hits the presser foot, the needle may brake and cause injury.



① The needle should not touch



FOR THE LOVE OF SEWING