

BABY LOCK

SEWING ACCESSORIES

Monogramming Foot

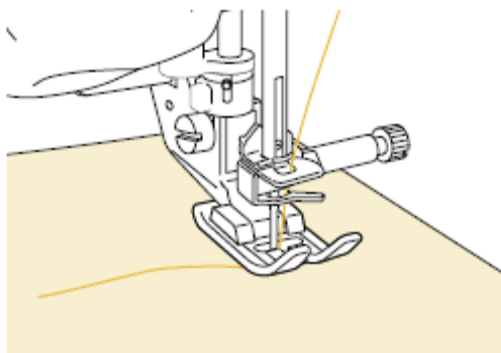
(BLG-MF)

Instructions

Make your mark with this foot and your machine. The wide open toe provides great visibility and a larger range of motion for your needle, making appliqué, wide decorative stitches and monograms easy to achieve.

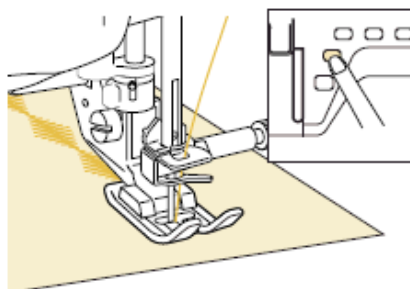
INSTRUCTIONS:

1. Select a stitch pattern.
2. Attach the Monogramming Foot.
3. Place the fabric under the presser foot, pull the upper thread out to the side, and then lower the presser foot.



pattern, there may be movement to the left and right as well as front and back. Guide the fabric with your hand to keep the fabric feeding straight and even during sewing.

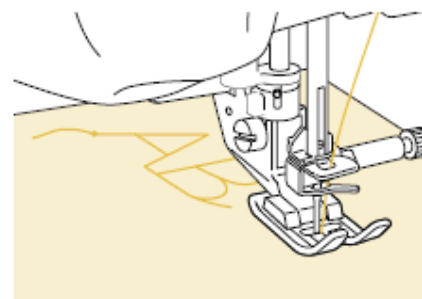
5. Press the "Start/Stop" button to stop sewing.
6. Press the "Reverse/Reinforcement Stitch"



Note: When sewing character stitches, the machine automatically sews reinforcement stitches at the beginning and end of each character.

4. Press the "Start/Stop" button to start sewing.

Note: When sewing 7 mm satin stitch patterns and the stitches are bunched, lengthen the stitch length. If you continue sewing when the stitches are bunched, the needle may bend or break. If the fabric is pulled or pushed during sewing, the pattern may not turn out correctly. Also, depending on the



FOR THE LOVE OF SEWING