

BABY LOCK SERGER ACCESSORIES

Clear Cloth Presser Foot for Embellisher

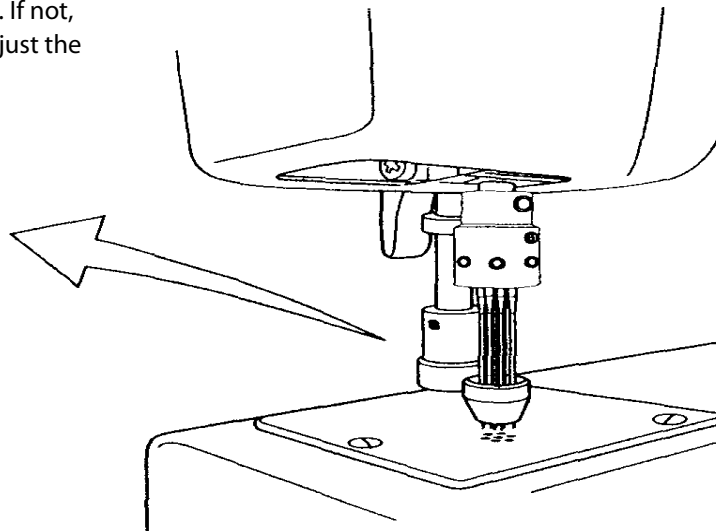
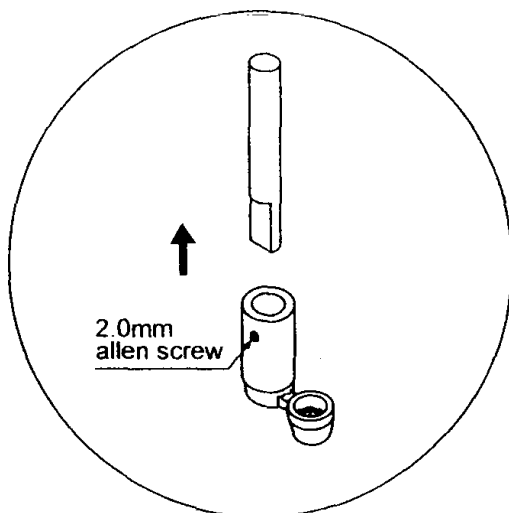
(EMB7-CLF)

Instructions



1. Set needle bar in the full up right position.
2. Raise presser foot lever.
3. Loosen 2.0 mm (allen screw) from cloth presser foot.
4. Remove cloth presser foot from presser bar.
5. Insert new clear presser foot onto the presser bar, all the way up.
6. Make sure the allen screw is facing the flat side of the presser bar, then tighten screw.

Important: After installing the new cloth presser foot, rotate the handwheel slowly by hand to ensure that the needles are correctly positioned and centered in the cloth presser foot openings. If not, loosen the 2.0 mm allen screw on the cloth presser foot, adjust the position and retighten the screw.



FOR THE LOVE OF SEWING