



“SERGER JOGGING SUIT”



Add detail elements to sportswear by using a decorative serger thread and a two-thread flatlock stitch to add stripes to a basic garment pattern. Customize your outfit even more with lovable embroidery characters from the Baby Lock Minny's Zoo card.

Skill Level: Beginner-Intermediate

Created by: Kelly Laws, Marketing Project Manager

Supplies:

Evolve Serger

Ellageo

Baby Lock Minny's Zoo card (BLEC-P05)

Cut-away stabilizer

Water-soluble stabilizer

YLI Success serging yarn

4 spools Maxi-Lock Serger thread

4" x 4" hoop for Ellageo

All-purpose thread

Assorted embroidery threads

Kwik Sew pattern #3150

Fabric yardage and notions according to the pattern envelope

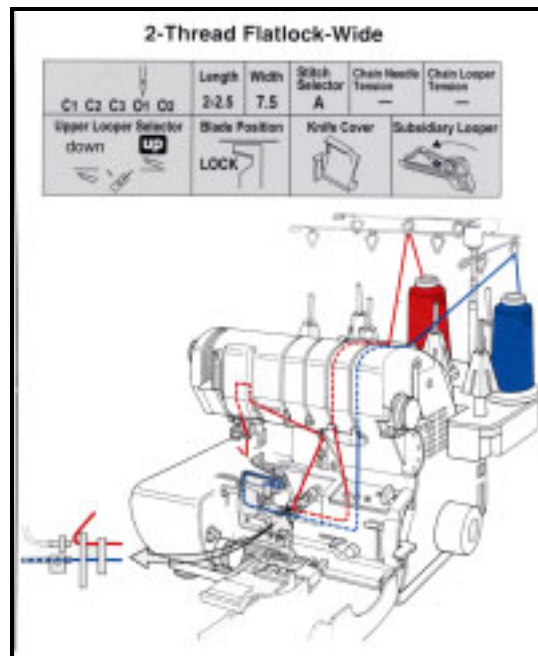
Chalk marker

Pencil

Tape measure

Instructions:

1. Measure and find the center of the sleeve pattern.
2. Fold the sleeve pattern in half lengthwise creasing a line at the center.
3. Draw a line on the pattern 1" on either side of the centerline.
4. Cut out the fabric according to the pattern layout directions.
5. Transfer the two lines down the sleeve onto the right side of the fabric using the chalk marker.
6. Set up your serger for a two-thread flatlock with success serging yarn in the looper and Maxi-Lock in the needle. **Note: Refer to the quick reference chart for machine set-up.**



1. Fold your sleeve along one line and flatlock the length of the sleeve.
2. Open out the flat lock.
3. Repeat for the other line, then the other sleeve.
4. Assemble the outfit according to the pattern instructions.
5. Use a double or triple needle coverstitch to hem the hood, pocket, sleeves and pants legs.



Personalize the jogging suit with your little one's favorite Minny's Zoo embroidery design.

1. Hoop cut away stabilizer in the hoop.
2. Spray lightly and position the fabric where you desire the embroidery, on the hoop.
3. Cut a piece of water-soluble stabilizer and place it over the top of the area to be embroidered.
4. Set up the embroidery machine with the chosen design selected.
5. Embroider the design.
6. When the embroidery is finished clip any remaining jump stitches and remove excess stabilizer.

For other exciting projects like this one visit our Web site at www.babylock.com